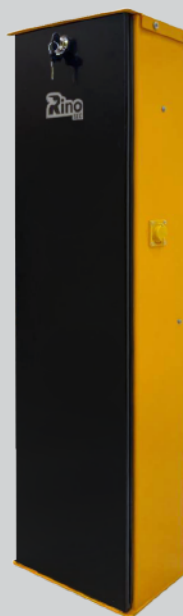




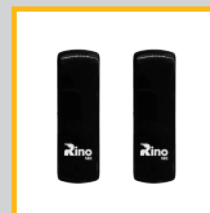
ROAD BARRIER FOR PASSAGES UP TO 5 m INTEGRATED CONTROL BOX WITH EXTERNAL RELEASE

24 VDC | intensive use

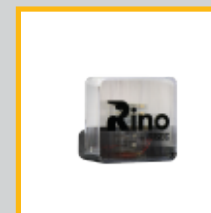
- 24 Vdc electromechanical barrier for intensive use. The barrier can be easily switched over to the other side.
- Easy and fast programming of the control panel thanks to its being positioned on the top of the road barrier
- Extremely easy use and programming of the road barrier
- Possibility of integrated photocells thanks to the innovative hide-away system
- Possibility of battery back up system
- Amperometric anticrushing control
- New fast acting release
- Elliptical rod with built-in rubber profile and optional built-in led lights
- 2 adjustable mechanical stops
- Foundation plate accessory with VE.PS coach screws



RAMONA 24V
Rinosec Control board



CITAN 12/24V
Photocell



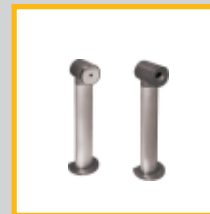
VITO 24V
Blinker



FOUNDATION PLATE
With Coach screws



FIXED SUPPORT
painted



VARIO accessories
Bracket



VITO accessories
Antenna



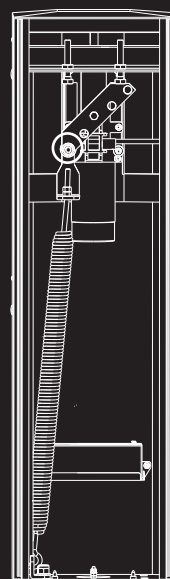
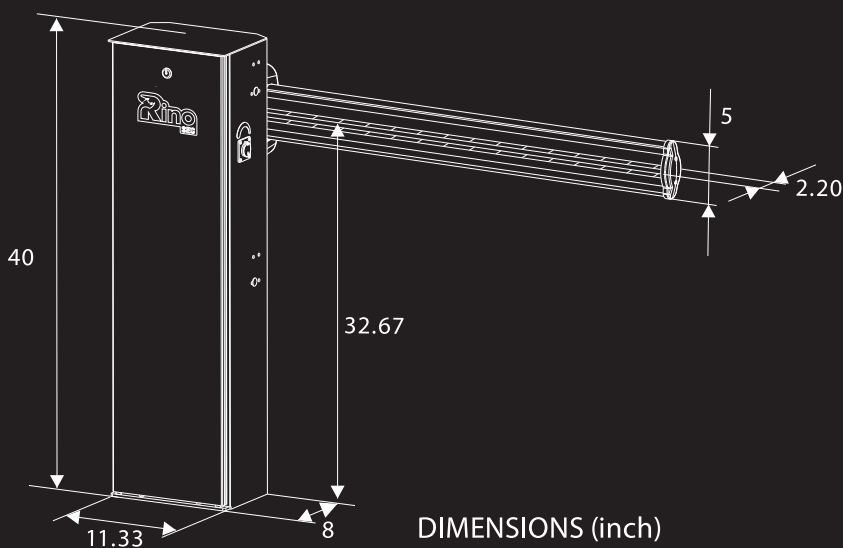
ELLIPTICAL ARM
Alluminium with cap



UNIMOG
Push bottom



www.rinosec.com info@rinosec.com



SPECIFICATIONS	VF140 230V INVERTER	VF140 24V BRUSHLESS
Power supply	230 Vac	24 Vdc
Motor Consumption (W)	250W	90W
Absorbed current	1,1A	-
Opening delay	adjustable	adjustable
Frequency of use	50 %	60 %
Thermal protection	130°C	-
Operation temperature	-20°C / +55°C	-20°C / +55°C
Weight	37 kg	39 kg
Time	6 Sec	4-6 Sec
Max. beam length	6 m	5 m
Protection class	IP55	IP55
Starting capacitor	6,5 µF	-